

Since:2005



**TIRUPATI  
INDUSTRIES**

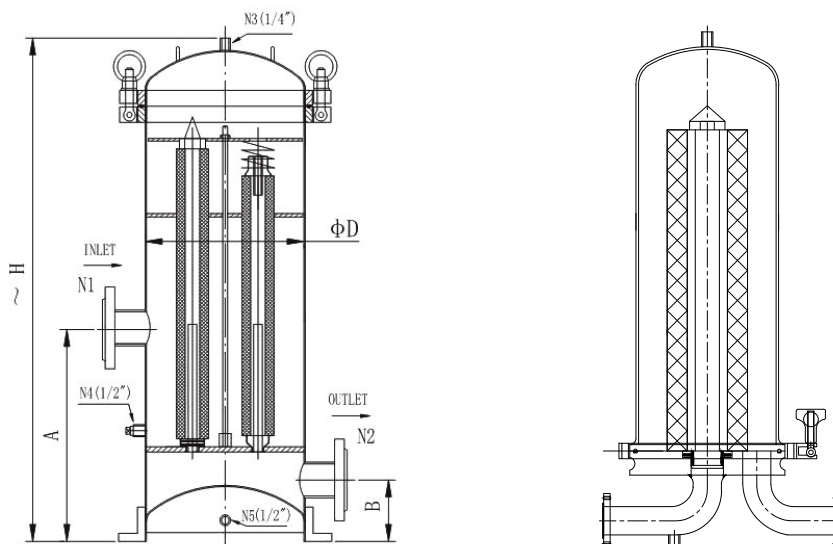
(An ISO 9001:2015 Certified Company)

Manufacturer & Exporter of Industrial Filters



[www.tirupatifilters.com](http://www.tirupatifilters.com)

# CARTRIDGE FILTER HOUSINGS



## Technical Specifications

### Sizes ( Cartridge Filter Housing Suitable For)

- 1 No. To 500 Nos. of Cartridges in Single Housing
- 2", 2.5", 4", 6" & 8" Diameter of Cartridge
- 10", 20", 30" & 40" Length of Cartridge

### Flow Rate

- Capacity : Up to 2000 m<sup>3</sup>/hr & We can design as per customer Requirement

### Material of Construction

- SS 316L SS 316 SS 304
- MILD STEEL
- POLYPROPYLENE on any Metal
- RUBBER LINING on any Metal
- TEFLON LINING on any Metal
- TEFLON COATING On Any Metal

### Type of Fitting (Cartridge)

- Double Open End (DOE) Type
- Code 7 ( 226 O Ring) Design
- Single Open End type
- NPT Threaded Connection Type

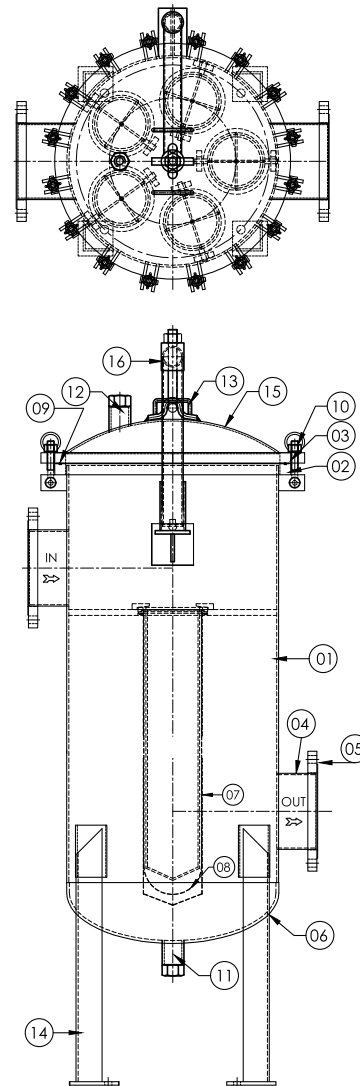
### End Connection

- NPT / BSP Threaded
- Flanged Table E / Table F
- ANSI B 16.5 Flanged - 150# to 2500#
- Din Standard
- Tri Clover Adaptors (T.C. End)

### Gasket / O Ring Material

- Neoprene
- Nitrile
- Silicone
- Viton
- EPDM
- PTFE
- Sprial Wound
- BUNA-N

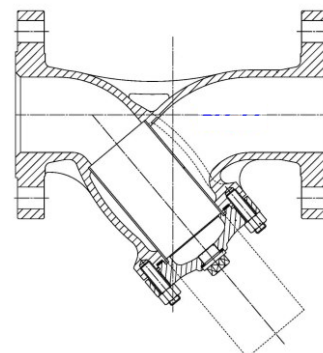
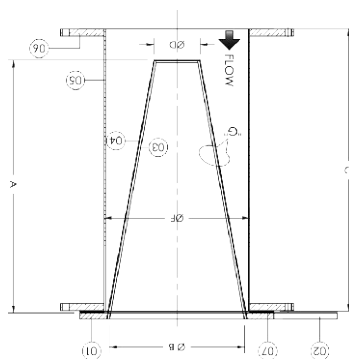
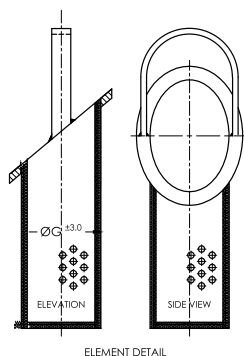
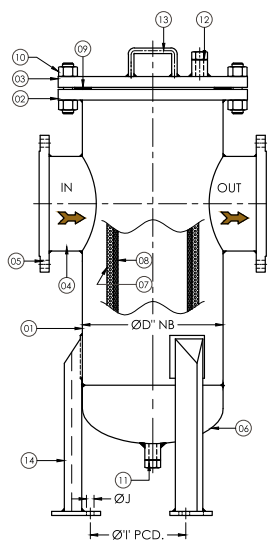
# BAG FILTER HOUSINGS



## Technical Specifications

Sizes ( Bag Filter Housing Suitable For)			Flow Rate	End Connection
Diameter in inch.	Length in inch.	No. of Bags Per Housing.	Capacity : Up to 2000 m3/hr & We can design as per customer Requirement	NPT / BSP Threaded Flanged Table E / Table F ANSI B 16.5 Flanged - 150# to 2500# Din Standard Tri Clover Adaptors (T.C. End)
4" Dia.	10" Long	1 No.	<b>Material Of Construction</b> SS 316L SS 316 SS 304 MS POLYPROPYLENE RUBBER LINING On Any Metal	<b>Gasket / O Ring Material</b> Neoprene Nitrile Silicone Viton EPDM PTFE
4" Dia.	17" Long	1 No.		
4" Dia.	20" Long	1 No.	<b>Type of Fitting (Bag)</b> PP Collar Bag Snap Band Bag SS Ring Bag Flange Collar Bag	
7" Dia.	16" Long	1 No.		
7" Dia.	32" Long	1 No.		
7" Dia.	32" Long	Customised		

# BASKET FILTER & STRAINERS



## Technical Specifications

### Sizes

1" Line Size To 24" Line Size & as per customer required.

### Flow Rate

Capacity : Up to 2000 m<sup>3</sup>/hr &  
We can design as per customer Requirement

### Material Of Construction

SS 316L SS 316 SS 304

MILD STEEL

POLYPROPYLENE on Any Metal

RUBBER LINING on Any Metal

### Basket Element Design Available

Single Basket Design

Multi Basket Design

Pleated Basket Design

Wrap Round Basket Design

### End Connection

NPT / BSP Threaded

Flanged Table E / Table F

ANSI B 16.5 Flanged - 150# to 2500#

Din Standard

Tri Clover Adaptors (T.C. End)

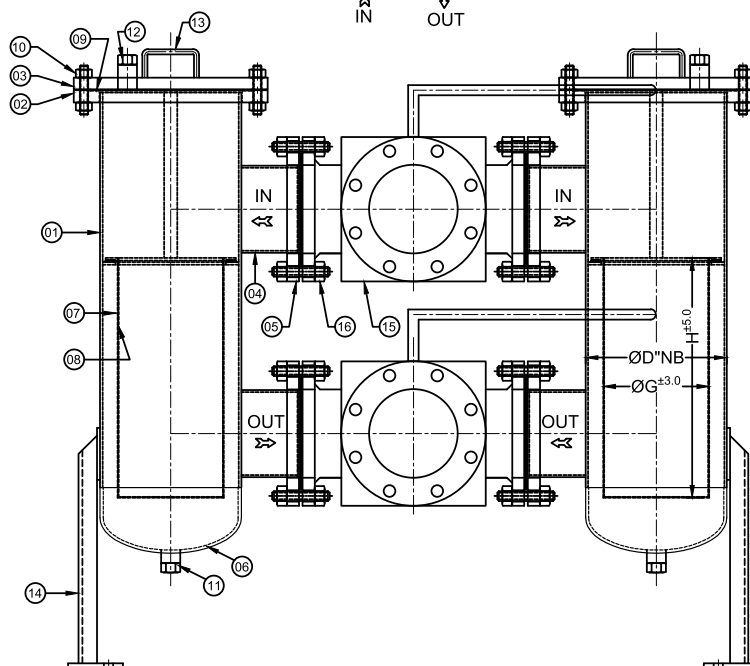
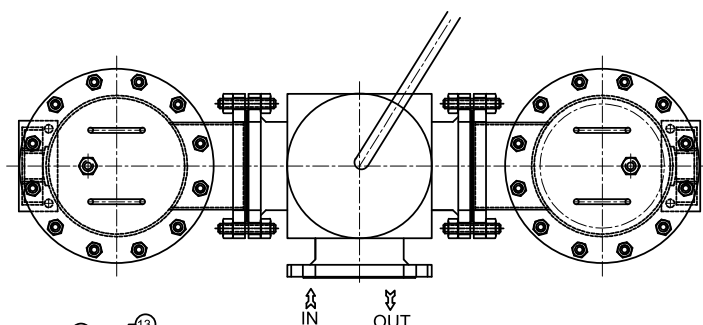
# DUPLEX FILTER HOUSINGS



**M.O.C. : M.S. PAINTED**



**M.O.C. : STAINLESS STEEL**



## Technical Specifications

### Sizes

1" Line Size To 24" Line Size & as per customer required.

### Flow Rate

Capacity : Up to 2000 m<sup>3</sup>/hr &  
We can design as per customer Requirement

### Material Of Construction

SS 316L SS 316 SS 304  
Mild Steel  
POLYPROPYLENE On Any Metal  
RUBBER LINING On Any Metal

### Design

Customized

### Type of Valve Available

3 - Way Ball Valve

NPT / BSP Threaded  
Flanged Table E / Table F  
ANSI B 16.5 Flanged - 150# to 2500#  
Din Standard  
Tri Clover Adaptors (T.C. End)

# CARTRIDGE FILTERS



## PP Spun Bonded / MELT BLOWN Filter Cartridge

Description	
Diameter	2.5", 4", 4.5"
Internal Diameter	28mm
Length	10", 20", 30", 40"
Material of Construction	100% Polypropylene
Micron Rating	1, 5, 10, 25, 50, 75, 100
Configuration	Double Open End / Single Open End



## PP THREAD - STRING WOUND / BLEACHED COTTON Filter Cartridge

Description	
Diameter	2.5", 4", 4.5"
Internal Diameter	28mm
Length	10", 20", 30", 40"
Core	PP, Stainless Steel, Specialised
Material of Construction	100% Polypropylene
Micron Rating	1, 5, 10, 25, 50, 75, 100
Configuration	Double Open End / Single Open End



## Glass Fiber Wound Filter Cartridge

Description	
Diameter	2.5", 4", 4.5"
Internal Diameter	28mm
Length	10", 20", 30", 40"
Core	Stainless Steel
Material of Construction	Glass Fiber
Micron Rating	1, 5, 10, 25, 50, 75, 100
Configuration	Double Open End / Single Open End



## PP Pleated Filter Cartridge

Description	
Diameter	68mm
Internal Diameter	28mm
Length	10", 20", 30", 40"
Material of Construction	P.P. (Polypropylene) & PTFE (Polytetrafluoroethylene)
Micron Rating	0.2, 0.45, 1, 2, 5, 10
Configuration	Double Open End / Single Open End & Code 7



## Resin Bonded Filter Cartridge

Description	
Diameter	64mm
Internal Diameter	28mm
Length	10", 20", 30", 40"
Material of Construction	Phenolic & Cellulose Resin B.
Micron Rating	1, 5, 10 & 20
Construction	Grooved & Ungrooved
Configuration	Double Open End / Single Open End



## Paper Pleated Filter Cartridge

Description	
Diameter	2.5", 4", 4.5" & Customized
Internal Diameter	28mm & Customized
Length	10", 20", 30", 40" & Customized
MOC	SS / GI / PP / P U / PLASTIC
MOC of Media	Paper, PP, Polyester, HDPE, Nylon
Filter Design	Wrap Round & Pleated
Micron Rating	1, 2, 5, 10, 25, 50, 75, 100, 300, 500 & as per Customer Requirement
Construction	Adhesive Joint
Configuration	Double Open End / Single Open End & Customized



## Stainless Steel Filter Cartridge

Description	
Diameter	2.5", 4", 4.5" & Customized
Internal Diameter	28mm & Customized
Length	10", 20", 30", 40" & Customized
MOC	SS 304, SS 316 & SS 316L Wire Mesh SS 304/316/L Woven Mesh
MOC of Media	316L Non-Woven Fiber Felt
Filter Design	Wrap Round & Pleated
Micron Rating	1, 2, 3, 5, 10, 50, 75, 100
Construction	100% Welded & Adhesive Joint
Configuration	DOE, SOE, Code 7, NPT & BSP & Customized Top / Bottom Caps



## SS Sintered Powder Filter Cartridge

Description	
Diameter	2", 2.5" & 3" & Customized
Internal Diameter	28mm, 40mm & 50mm
Length	10", 20", 30", 40" & Customized
MOC	SS 316 & SS 316L
Filter Design	Cylinder, Plate, Circle & Customized
Micron Rating	0.2, 1, 2, 3, 5, 10, 50, 75, 100
Construction	100% Welded
Configuration	DOE, SOE, Code 7, NPT & BSP

## DUST COLLECTION



### Dust Collection Filter Cartridge/Elements

Sizes	
Standard & Customized	
Description	
MOC of Caps	SS / GI / Aluminium / PU - RUBBER
MOC of Media	Cellulose Paper, PP, Spun Bonded Polyester, HDPE, Nylon
Micro Rating	0.3, 1, 2, 3, 5 & as per requirement
Coating	PTFE, Antistatic (Aluminum Coating), Oil & Water Repellant
Configuration	Lugs Type, Collar Type, Flange type & Tie-Rod Type Fitting (DIN)

## WOUND FILTER CARTRIDGES

### Wound Filter Cartridges

Wound cartridges are designed to meet the most demanding filtration duties. They offer an economic, compact, easily installed and maintained filtration system for removal of particulate from liquid.

Wound cartridges are manufactured from a variety of carefully selected raw materials. These are processed into fibres of specific grades using the latest technology.



### Salient Features :

- Standard and customized sizes to fit most housings
- Filtration rating from 1 to 100 Micron
- High strength & pressure resistance
- Manufactured in continuous length
- Full range of sizes from 10" to 60" Length
- Excellent flow with low pressure drop
- High dirt holding capacity
- Compatible with a wide range of fluids
- NSF & FDA approved filter cartridges are available.
- Salient Feature

### Technical Specifications

Sizes :	10", 20", 30", 40", 50", 60" Long & Customized
Micron Rating :	1, 5, 10, 25, 50, 75, 100
Outer Dia. :	64(2.5") 100 (4"), 110(4.5") 6", 8"
Inner Dia. :	25mm

### Construction

- Polypropylene with Polypropylene / S.S. core
- Cotton with stainless steel core
- Glass Fibre with stainless steel core

# STAINLESS STEEL FILTER CARTRIDGES

## Stainless steel cartridges (OEM Companies Like : HYDAC / PALL / MAHLE / PARKER / etc. Substitute)

Stainless steel cartridges are designed to overcome the temperature and chemical compatibility limitations of fabric or synthetic fiber media. This will offer very high-temperature resistance & can even withstand high differential pressure. Stainless steel cartridges are offered in SS 304, SS 316, & SS 316 L materials. These elements can be either plain cylindrical or in pleated configuration to increase filtration area. Usually, all stainless steel pleated & cylindrical filters are supported with coarser filter media to ensure no direct damage is inflicted to main filtering media under process upsets. A bubble point test can be done to certify that no opening larger than the specified pore size exist in product joints or seams. No media migration occurs due to stainless steel material. These elements can be back washed & reused.

### Type of Filters

- Stainless steel wire mesh type
- Stainless steel sintered metal powder type
- Stainless steel random fiber / sintered metal fiber type
- Stainless steel multi-layered wiremesh

### Type of Filter Design

- Plain cylindrical design
- Pleated configuration design
- Welded design

### Features:

- Stable pore shapes.
- High permeability.
- Low pressure drop.
- High dirt-holding capacity (longer lifetime).
- High differential pressure, with stand capacity.
- Strong corrosion resistant.
- Back flushing.
- Excellent mechanical strength.
- Customized Sizes available.
- High temperature resistance
- Corrosion resistance

### Product Details

- 10" to 40" Cylindrical cartridge length
- 100% Welded Cylinder Wrap Round And Pleated Type Cartridge
- Micron ratings from 0.2, 0.5, 1, 3,5,10, 20, 25, 50 & More
- SS304 / SS316 Materials using wire mesh and filter media composites
- Outer and Inner Diameter as per customer's Requirement, one to one replacement
- Double Open End (DOE) / 222 and 226 Single Open End (SOE)
- 1 Layer/2 layers / 3 layers configurations

### Technical Specifications

Material	: SS 304 / SS 316
Sizes	: 10", 20", 30", 40" Long (Customized sizes available) As per requirement we can design
Micron Rating	: 0.2, 0.5, 1, 3,5,10, 20, 25, 50 & More
Standard Outside Diameter	: 64 mm & As per requirement we can design
Inner Diameter	: 28 mm & As per requirement we can design

### Applications

- Catalyst Recovery In Petrochemical / Chemical Industries
- Polymer Filtration
- Cross Flow Filtration
- Gas Filtration
- Analytical Devices
- Medical devices
- Oil Filtration
- Aerosol Application
- Gas – Liquid Separation
- Hot Gas Filtration
- Fuel & Hydraulic Oil Filtration
- R.O. Pre Filtration





# FILTER BAGS

## Liquid Filter Bags



### Technical Specifications

#### Standard Sizes (Customized sizes are available)

4" X 10" Long  
4" X 17" Long  
4" X 20" Long  
7" X 17" Long  
7" X 32" Long

#### Configuration

Fused (Welded)  
Stitched Types

#### Filteration Rating

1, 5, 10, 20, 50, 100 & 200 Micron

#### Fitment Configuration

PP Collar  
SS Ring  
Snap Band Fit

#### Filter Media

Polypropylene  
Polyester  
Nylon  
HDPE

## Dust Collection Filter Bags



### Technical Specifications

#### Standard Sizes (Customized sizes are available)

Customized Sizes are available

#### Micro Rating

1, 5, 10, 25, 50, 100, 250, 500

#### Configurations

Snap band type  
Flange collar type  
customized

#### Available Coating & Treatment

Antistatic Treatment with copper wire  
Antistatic treatment with stainless steel fiber  
Water & Oil Repellent  
PTFE Coating & Laminated

#### Filter Media

Woven Media  
Non-Woven Media  
Glass Fiber  
Ryton Media

# SINTERED PRODUCTS

## Sintered Filter Tubes



### Technical Specifications

#### Sizes (Customized sizes are available)

10", 20", 30", 40" & Customized

#### Diameter

25MM, 38MM, 44MM, 50MM, 65MM, 75MM

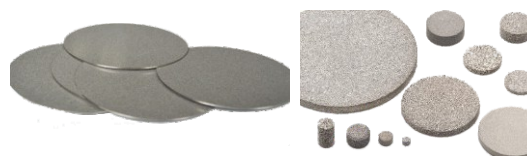
#### Filteration Rating

0.2, 0.45, 1, 5, 10, 20, 50 Micron

#### Filter Media

SS 316L, SS 304L

## Sintered Disc Filter



### Technical Specifications

#### Sizes

Customized

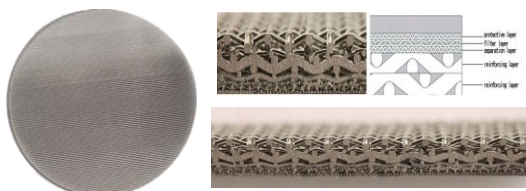
#### Filteration Rating

0.2, 0.45, 1, 5, 10, 20, 50 Micron

#### Filter Media

SS 316L, SS 304L

## Multilayer Disc Filters



### Technical Specifications

#### Sizes

Customized

#### Thickness

1.7 mm

#### Layer

5

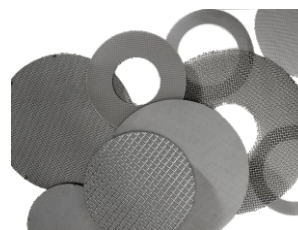
#### Filteration Rating

1, 5, 10, 20, 50 Micron

#### Filter Media

SS 316L, SS 304L

## Wiremesh Disc Filters



### Technical Specifications

#### Sizes

Customized

#### Filteration Rating

2, 5, 10, 20, 50, 100 Micron

#### Filter Media

SS 316L, SS 304L

## Spargers / Silencer



### Technical Specifications

#### Sizes

Customized

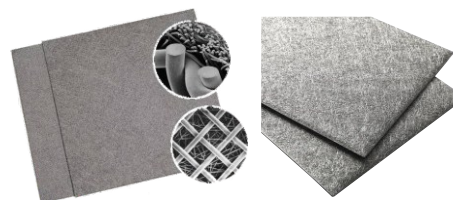
#### Filteration Rating

1, 5, 10, 20, 50 Micron

#### Filter Media

SS 316L, SS 304L  
Sintered Bronze

## Sintered Fiber Fabric



### Technical Specifications

#### Sizes

Customized

#### Filteration Rating

1, 5, 10 Micron

#### Filter Media

SS 316L, SS 304L

# OTHER FILTRATION PRODUCTS

## Wedge Wires Filter Element



### Technical Specifications

<b>Sizes</b>
Customised
<b>Filteration Rating</b>
50, 75, 100, 150, 200, 500 Micron
As per requirement we can design
<b>Types</b>
Cylinder, Screen
<b>Filter Media</b>
SS304, SS316, SS316L

## Compressed Air Filters



### Technical Specifications

<b>Sizes</b>
Customised
<b>Filteration Rating</b>
0.01, 0.1, 1, 5, 10 Micron
As per requirement we can design
<b>Fitting</b>
Customised
<b>Filter Media</b>
Foam Media + Glass Fiber Media

## Replacement Filters



### Technical Specifications

<b>Sizes</b>	<b>Make</b>
As Per Part Number	Parker, Hydac, MP FILTRI, Donaldson, etc.

## SOME OF OUR VALUABLE CLIENTS



**Manufacturer & Exporter of Industrial Filters**

**Corporate Office & Manufacturing Unit :**

12, Icon Ind Park, B/h. Radhika Estate, Nr. CIFS Camp, Odhav, Ahmedabad-382415. Gujarat, India.

Phone : +91 - 9327 00 5645 (for International Enquiry) / +91 9624163920

Email: sales@tirupatifilters.com

Web: www.tirupatifilters.com